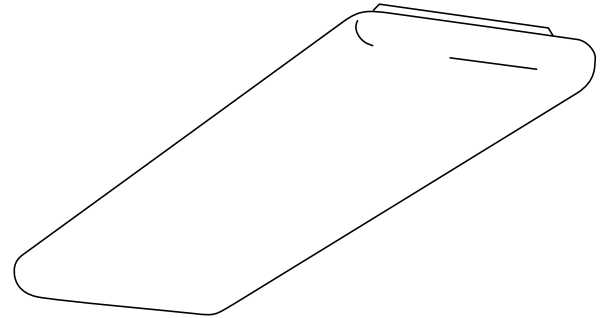


CATALOG NO. \_\_\_\_\_

TYPE NO. \_\_\_\_\_

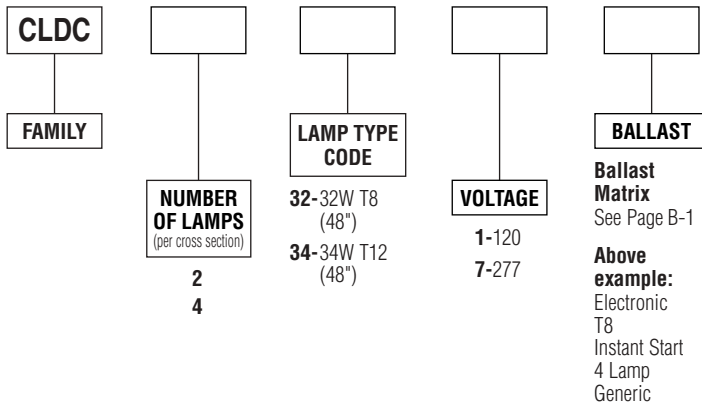
JOB NAME \_\_\_\_\_

# Cloudline (CLDC)



## ORDERING INFORMATION

Catalog Number: Example: CLDC4321K4Y



**OPTIONS**  
**Options List**  
See Page D-3  
Suffix catalog number with Option Code

## PRODUCT FEATURES

- Soft diffused lighting provides even illumination in decorative residential and high-style commercial applications.
- Soft curvature white acrylic diffuser.
- Surface mounted housing unit.
- Snap-on components provide simple, time-saving installation.
- Optional low-density mounting is available.

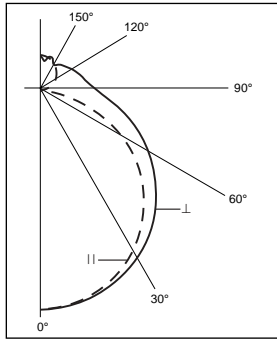
## PRODUCT AVAILABILITY

FAMILY	NUMBER OF LAMPS (per cross section)	LAMP TYPE CODE	LENGTH	WIDTH	HEIGHT
CLDC	2	32, 34	52"	11 3/4"	5 1/2"
CLDC	4	32, 34	52"	17"	5 1/2"

## SPECIFICATIONS

Housing assembly is die-formed of cold-rolled steel with adequate knockout locations for all normal installation methods. Baked white enamel finish provides minimum reflectance factor of 85%. Lens is pressure molded white acrylic. Fixtures are UL-listed and bear union and UL labels. Standard voltage is 120 volts 60 Hz.

## Two-Lamp 32W T8 Photometric Data

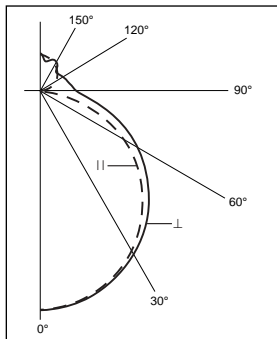


### Coefficients of Utilization

Floor Cavity Reflectance 0.20

Room Cavity Ratio	RC RW	80%			50%			10%		
		50	30	10	50	30	10	50	30	10
1	52	50	48	46	44	42	38	37	36	
2	45	42	38	40	37	35	33	31	30	
3	40	35	32	35	32	29	29	27	25	
4	35	30	27	31	27	25	26	24	22	
5	31	26	23	27	24	21	23	20	18	
6	28	23	19	24	21	18	21	18	16	
7	25	20	17	22	18	15	19	16	14	
8	22	18	14	20	16	13	17	14	12	
9	20	15	12	18	14	12	15	12	10	
10	18	14	11	16	13	10	14	11	9	

## Four-Lamp 32W T8 Photometric Data



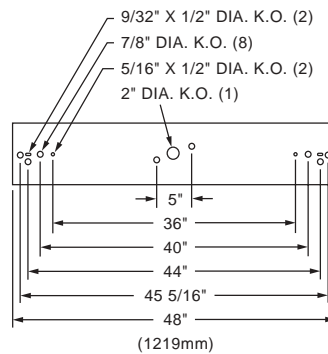
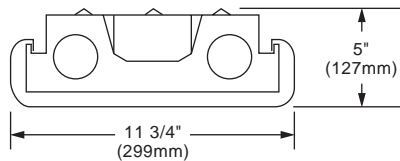
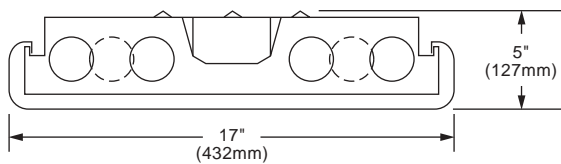
### Coefficients of Utilization

Floor Cavity Reflectance 0.20

Room Cavity Ratio	RC RW	80%			50%			10%		
		50	30	10	50	30	10	50	30	10
1	48	46	44	42	40	39	35	34	34	
2	42	38	35	37	34	32	31	29	28	
3	37	33	30	32	29	27	27	25	24	
4	32	28	25	29	25	23	24	22	20	
5	28	24	21	25	22	19	22	19	17	
6	25	21	18	23	19	17	19	17	15	
7	23	19	16	20	17	14	17	15	13	
8	20	16	13	18	15	13	16	13	11	
9	18	14	12	16	13	11	14	12	10	
10	17	13	10	15	12	10	13	10	9	

## DIMENSIONS

All KOs are 7/8" dia. unless otherwise specified.



Dimensions and specifications subject to change without notice.