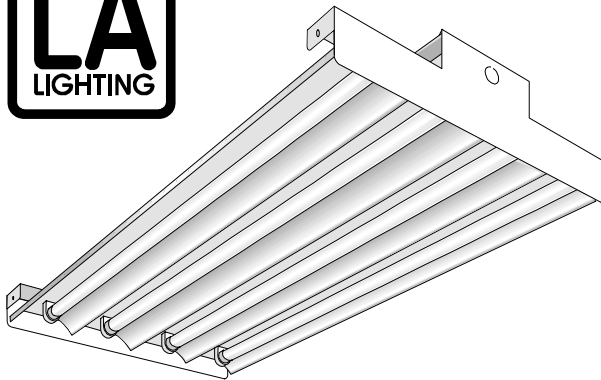


**THE E-BAY**



MADE IN THE U.S.A.

**IBT100 SERIES**

- High Bay Luminaire
- 2, 3, or 4 Lamps
- Specular Aluminum Reflectors (95%)
- High Reflectance White Aluminum Reflectors Optional
- Stem, Cable, and Chain Mountable
- .040 Aluminum Fixture Housing Available
- Quarter Turn Rotary Locking Sockets

**PHOTOMETRIC DATA**

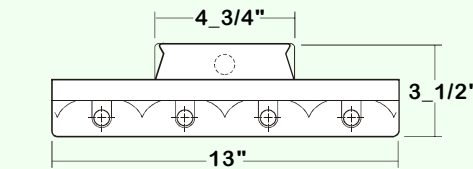
TEST ITEM=IBT100-4-4M-SR-E5H

TEST NO.=LA-T1512  
 LAMP TYPE=F54T5HO  
 NO. OF LAMP=4  
 LUMENS PER LAMPS=5000  
 WATTS PER LAMP=54  
 BALLAST FACTOR=1  
 PHOTOMETRY TYPE=C

SPACING CRITERION	
ALONG 1.28	ACROSS 1.05

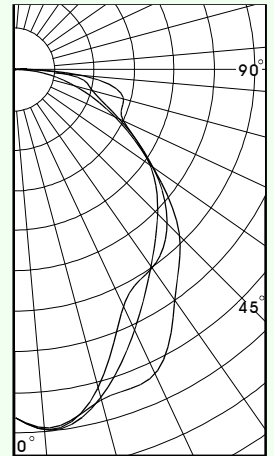
ZONAL LUMEN SUMMARY			
DEGREES	LUMENS	% LAMP	% FIXTURE
0-30	5107	25.5	27.0
0-40	8126	40.6	43.0
0-60	14161	70.8	75.0
0-90	18795	94.0	99.5
90-120	95	0.5	0.5
90-130	95	0.5	0.5
90-150	95	0.5	0.5
90-180	95	0.5	0.5
0-180	18890	94.5	100.0

CANDLEPOWER			
Angle	End	45	Cross
0	6752	6752	6752
5	6975	7016	7008
15	6603	6526	6307
25	6467	5502	4996
35	5389	4591	4656
45	4483	3893	4149
55	3198	3159	3220
65	2080	2180	2292
75	1148	1527	2162
85	368	974	1257
90	46	218	307
95	2	42	111
105	0	0	2
115	0	0	0
125	0	0	0
135	0	0	0
145	0	0	0
155	0	0	0
165	0	0	0
175	0	0	0
180	0	0	0



Total Luminaire Optical Efficiency = 94.5%

COEFFICIENT OF UTILIZATION																		
	20			70			50			30			10			0		
pfc	20																	
pcc	80																	
pw	70	50	30	70	50	30	50	30	50	30	50	30	50	30	50	30	0	
RCR	0																	
0	113	113	113	110	110	110	105	105	101	101	96	96	94					
1	102	96	92	99	94	90	90	87	86	83	83	80	76					
2	92	83	76	89	82	75	78	73	75	70	72	68	63					
3	84	73	65	81	72	64	69	62	66	60	63	59	52					
4	77	65	56	74	63	55	61	54	59	53	57	51	45					
5	70	58	49	68	57	48	55	47	53	46	51	45	39					
6	65	52	43	63	51	43	49	42	48	41	46	40	34					
7	60	47	39	59	46	38	45	38	44	37	42	36	30					
8	56	43	35	55	42	35	41	34	40	33	39	33	27					
9	53	40	32	51	39	31	38	31	37	31	36	30	24					
10	49	37	29	48	36	29	35	28	34	28	33	28	22					



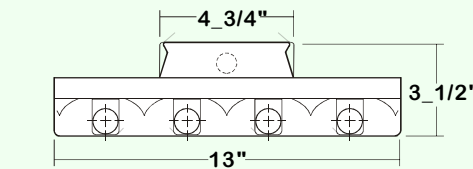
TEST ITEM=IBT100-4-4R-SR-E8

TEST NO.=LA-T1513  
 LAMP TYPE=FO32/31K  
 NO. OF LAMP=4  
 LUMENS PER LAMPS=2900  
 WATTS PER LAMP=32  
 BALLAST FACTOR=1  
 PHOTOMETRY TYPE=C

SPACING CRITERION	
ALONG 1.35	ACROSS 1.50

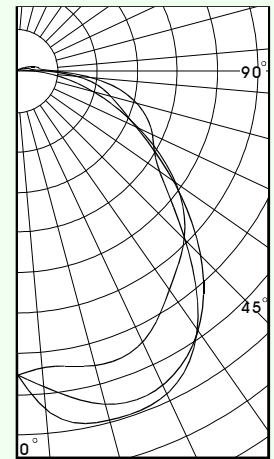
ZONAL LUMEN SUMMARY			
DEGREES	LUMENS	% LAMP	% FIXTURE
0-30	2711	23.4	25.0
0-40	4532	39.1	41.8
0-60	7949	68.5	73.3
0-90	10622	91.6	98.0
90-120	218	1.9	2.0
90-130	218	1.9	2.0
90-150	218	1.9	2.0
90-180	218	1.9	2.0
0-180	10840	93.5	100

CANDLEPOWER			
Angle	End	45	Cross
0	2926	2926	2926
5	2865	3056	3282
15	2931	3320	3472
25	2862	3322	3414
35	2546	3022	3002
45	2259	2469	2253
55	1830	1797	1647
65	1245	1226	1420
75	705	905	1163
85	235	504	645
90	46	184	281
95	10	120	203
105	0	52	128
115	0	11	44
125	0	0	0
135	0	0	0
145	0	0	0
155	0	0	0
165	0	0	0
175	0	0	0
180	0	0	0

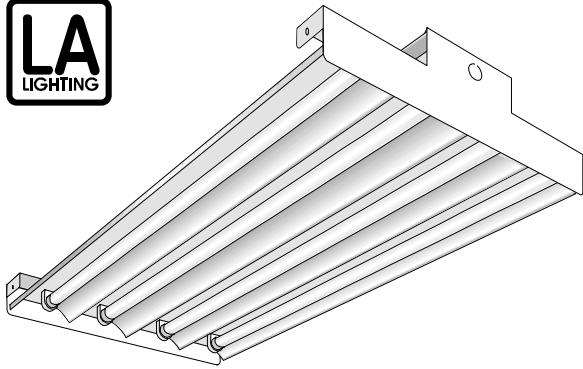


Total Luminaire Optical Efficiency = 93.5%

COEFFICIENT OF UTILIZATION																		
	20			70			50			30			10			0		
pfc	20																	
pcc	80																	
pw	70	50	30	70	50	30	50	30	50	30	50	30	50	30	50	30	0	
RCR	0																	
0	111	111	111	108	108	108	103	103	98	98	94	94	92					
1	100	95	90	97	93	88	88	85	84	81	80	78	74					
2	90	82	75	88	80	74	76	71	73	69	70	66	61					
3	82	72	64	80	70	62	67	60	64	59	61	57	51					
4	75	63	55	73	62	54	59	52	57	51	55	49	43					
5	69	56	48	67	55	47	53	46	51	45	49	43	37					
6	64	51	42	62	50	41	48	40	46	40	44	39	32					
7	59	46	37	57	45	37	43	36	42	35	40	35	28					
8	55	42	34	53	41	33	40	33	38	32	37	31	25					
9	51	38	30	50	38	30	36	29	35	29	34	28	22					
10	48	35	28	47	35	27	34	27	33	26	32	26	20					

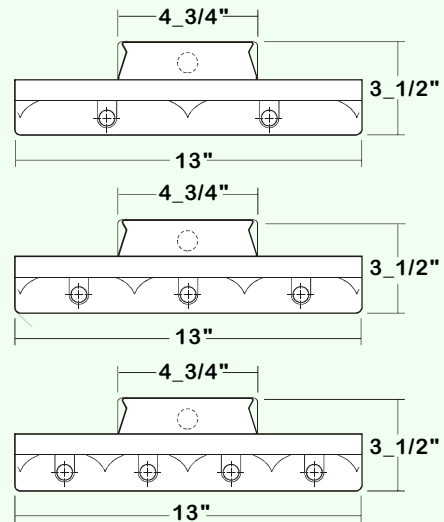


# THE E-BAY



## IBT100 SERIES

### CROSS SECTION



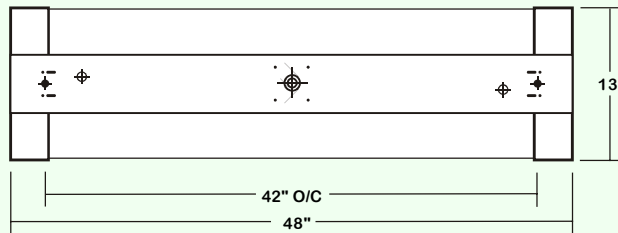
● ALUMINUM REFLECTOR SECURED WITH QUARTER TURN FASTENERS FOR EASE OF MAINTENANCE.

### CATALOG NUMBER

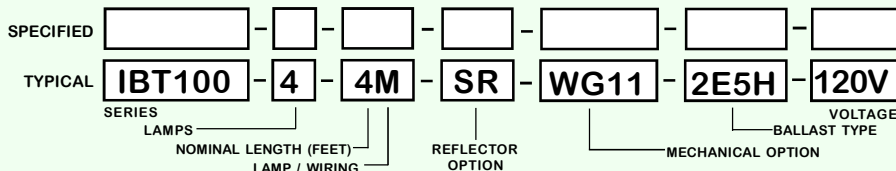
	NOMINAL LENGTH	TOTAL LAMPS	LAMP TYPE
IBT100-2-4M	4'	2	T5/T5HO
IBT100-3-4M	4'	3	T5/T5HO
IBT100-4-4M	4'	4	T5/T5HO
IBT100-2-4R	4'	2	T8
IBT100-3-4R	4'	3	T8
IBT100-4-4R	4'	4	T8

### BACKPLATE

- V-HOOK
- 3/16" K.O.
- ◆ 11/16" STEM MTG. K.O.
- ⊕ 7/8" OFFSET K.O.
- ⊕ 2" K.O.



### ORDERING GUIDE



NOTE: LAMP/WIRING\* M= Miniature Bi-Pin T5 R= Medium Bi-Pin T8

### OPTIONS and ACCESSORIES

#### ● BALLAST OPTIONS

	PAGE REF-1
Electronic Ballast T5 28W	E5
Electronic Ballast T5 HO 54W	E5H
Electronic Ballast T8	E8
Electronic High BF T8 Ballast	E8IH
Electronic T5 HO Dimming Ballast	E5HDM
Electronic Dimming Ballast	EDM
Digital Addressable Ballast	DAB

#### ● ELECTRICAL OPTIONS

	PAGE REF-2
Emergency Battery Pack	*
External Line Fusing (HLR/GLR)	ELF
Motion Sensor	MS

#### ● REFLECTOR OPTIONS

	SUFFIX
Specular Aluminum Reflector, 95%	SR
White Aluminum Reflector, 90%	WR

#### ● MECHANICAL OPTIONS

	PAGE REF-4,5&6
Damp Location	DL
Wire Guard - 11 Ga.	WG11
Fixture Suspending System	*
V-Hooks For Chain MTG.	V-4
Up-Light	U
Die Cast Hub For 3/4" Pipe	HUB

\*See Appropriate Reference Page

### SPECIFICATIONS

- **TYPE** High bay open light luminaire for stems, cable or chain mounting.
- **CONSTRUCTION** 22 gauge cold rolled steel housing. Quarter turn rotary locking lampholders standard. (20 ga. C.R.S. and .040 aluminum housing available as specified)
- **REFLECTOR** Specular aluminum reflector standard, 95% reflectance (White aluminum reflector available). Slotted up-light reflector optional.
- **WIRE GUARDS** 11 ga. Chrome epoxy powder coated.
- **FINISH** Baked white polyester finish, minimum reflectance 86%. (Powder coated finish available.)
- **WIRING** 120v 60Hz., 277v 60Hz., UNV (universal voltage 120v thru 277v.) or as otherwise specified. Multiple levels of switching available as specified.
- **LABELS** U.L. Listed.

MADE IN THE U.S.A.

