



24023 NE Shea Lane #205, Wood Village, OR 97060

Phone: 503-680-3959; Fax: 503-666-6861; Email sales@smartlightingsolutions.com

www.smartlightingsolutions.com

VAPOR TIGHT FIXTURE

This gasketed enclosure is designed for damp or wet locations indoors and outdoors. This fixture is UL listed, and has IP 65 and 67 ratings. The clear high impact acrylic lens can withstand most harsh environments. It is available in T5HO and T8 styles in 2', 4' and 8' lengths. Its low profile makes it ideal for tight areas and low ceilings. **THIS FIXTURE IS MANUFACTURED IN THE UNITED STATES.**

Install this fixture in:

- Food Processing Plants
- Kitchens
- Parking Garages
- Covered Walkways
- Car Washes
- Open Canopies
- Coolers
- Entry Lighting
- Barns and Horse Arenas
- Any Wet, Damp or Dry Location

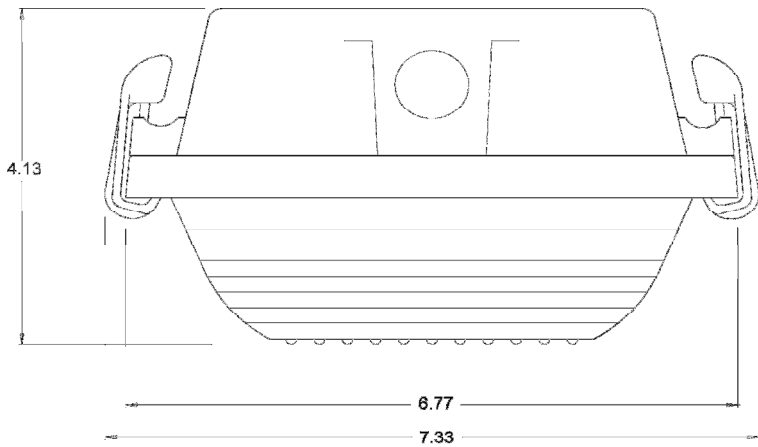
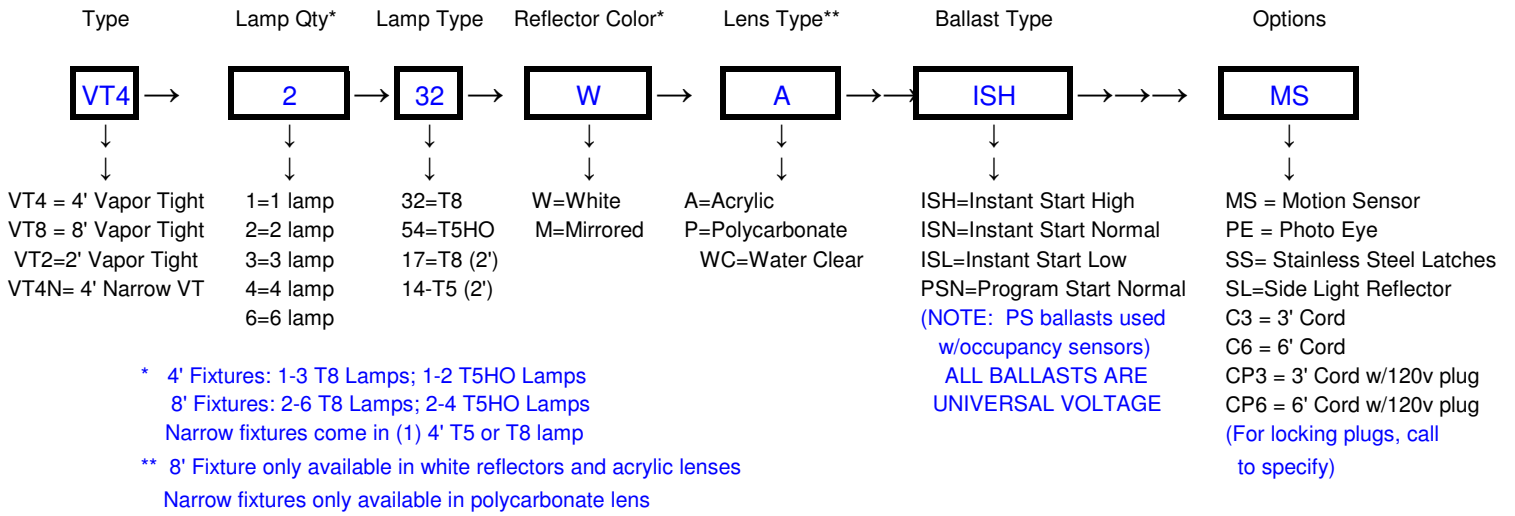
Options available at additional cost:

- White Reflector is standard - Mirror Reflector optional
- Cords & Plug, 3 prong and twist lock
- Occupancy Sensors & Photo Eyes
- Stainless Steel Latches
- Polycarbonate Lens available in 4' length
- Water-Clear Lens (Acrylic)
- Side-light Mirror Reflector (Must be ordered with Water-Clear Lens)

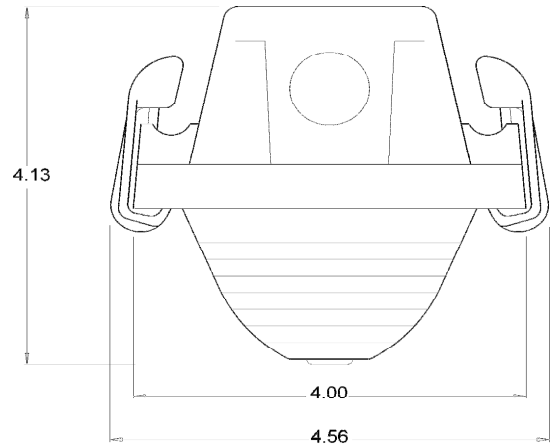
This fixture is easy to use:

- Poured in place gasket and cam latches seal the enclosure from most hostile environments
- Economical Mounting System can provide dramatic savings on the installation labor
- Designed around T8 and T5 lamps for long term energy savings
- Very tough diffusers resist breakage and reduce replacement and maintenance costs
- Durable stainless steel mounting hardware
- No hole ever has to be drilled through the housing for installation
- Stainless steel brackets & bail hangers included for chain hung installations or surface mount.

ORDERING INFORMATION



4' fixture is 7.33" wide w/ latches, and is 51.70" long
8' fixture is 7.33" wide w/ latches, and is 100.125" long



4' narrow fixture is 51.70" long
2' narrow fixture is 27.70" long

